



Features

- Differential to single ended conversion
- Transformerless 2-2 wire conversion
- Minimum installation space
- Off-Hook detection and \overline{LED} indicator drive
- Relay drive output
- Battery and ringing feed to line
- Logic interface: \overline{MUTE} , \overline{SHK} , RRC
- Mute of incoming audio
- Dial pulse detection
- Voltage surge protection
- German complex input impedance

Applications

Line Interface for:

- Intercoms
- Key Systems
- PABX

ISSUE 4

April 1995

Ordering Information

MH88520-1 20 Pin SIL Package

0°C to 70°C

Description

The Mitel MH88520-1 German Subscriber Line Interface Circuit provides a complete interface between the telephone line and a speech switch requiring only single bidirectional switch per crosspoint. The functions provided by the MH88520-1 include bidirectional differential to single ended conversion in the speech path, line battery feed, ringing feed and loop and dial pulse detection. The device is fabricated as a thick film hybrid in a 20-pin 'single-in-line' (SIL) package allowing optimum circuit board packing density and very high reliability.

Not Recommended for New Design See MHP2617

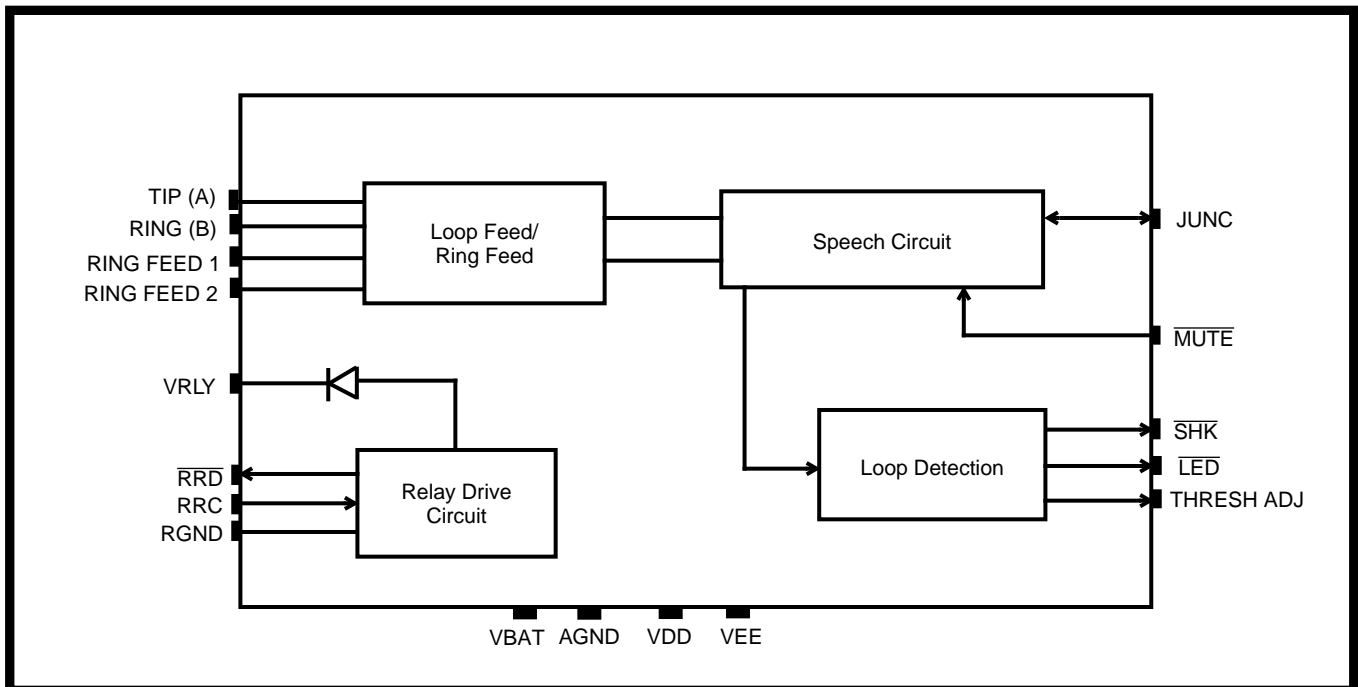


Figure 1 - Functional Block Diagram

Notes: